

Guardian Valve Controller

The Valve Controller is the heart of a Guardian system. It installs over standard ball valves with no tools and no plumber to automatically shut off the water main during a leak. It also acts as the point of contact between the Guardian app and all connected Water Detectors in the system.



- Installs over existing valve without any tools
- Valve calibration
- Optional battery backup
- Direct communication with Water Detectors
- iOS & Android app
- Offline functionality

KEY FEATURES



100% RETROFIT

Install in seconds
No tools needed
Calibrates to unique valves



NO HUB

No hub for remote access
Direct communication with sensors
1,000' wireless range, indoors



BATTERY BACKUP

12 hours + 1 valve closure
Works without Wi-Fi
Power outage notifications



3RD PARTY INTEGRATION

Cloud-to-Cloud Integration
Bi-directional RS-232c port
No port-forwarding, etc.

NETWORK TOPOLOGY



SMARTPHONE



GUARDIAN SERVERS



WI-FI



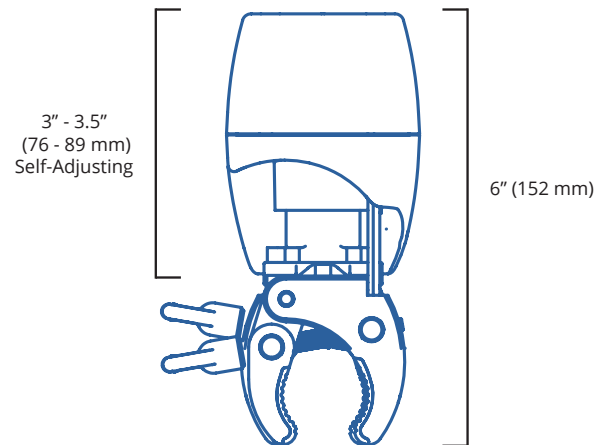
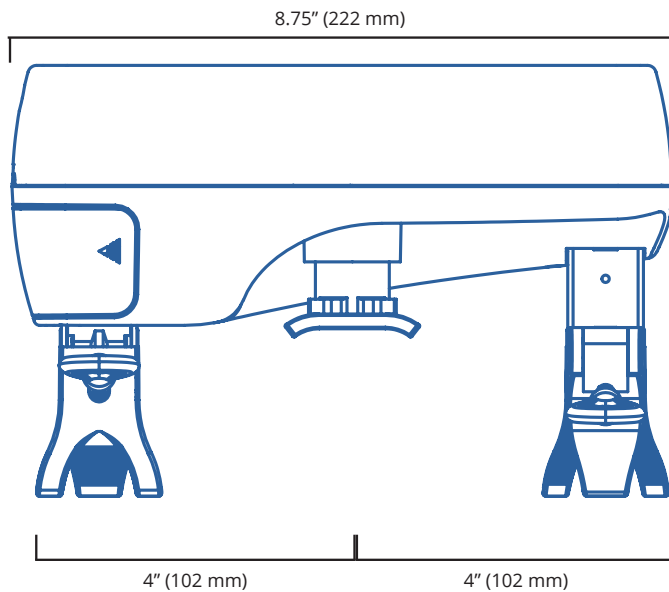
VALVE CONTROLLER



WATER DETECTORS

TECHNICAL SPECIFICATIONS

Physical Attributes	Dimensions	8.75" x 6" x 3.5" (W x H x D)
	Ingress Protection	Splashproof, humidity proof - for indoor use only!
	Required tools	None
Supported Valves	Supported Valve Types	Most 1/4-Turn Ball Valves
	Supported Sizes	1/2" - 1"
	Torque	12 N*m
Power Specs	Power Supply	12VDC 2A Power Supply (included, 10ft length)
	Backup Battery Capacity	12 hours + 1 turn (battery not included)
Connectivity	Inputs	Power, Minijack (leak sensor probe + RS-232c)
	Wireless Connectivity	Bluetooth LE, WiFi, Guardian RF
	WiFi Required	Yes, only for remote control and notifications.
	Apps	iOS, Android
	Subscription Fees	None
	Available Data	Valve status, Temperature, Leak Sensor Probe
Physical Interfacing Options	Audible Alerts	Yes, via Buzzer
	Visual Alerts	Yes, via LED
	Button Functionality	Open, Close, Stop, Mute, and factory default
	LED Status Indicator	Power, WiFi, Guardian RF, and Valve Status
Additional Features		Weekly Self-Test
		Valve Calibration
		Automatic water shut-off (for water, freeze, and earthquake events)
		Motor stall detection & notification
		Improper installation detection
Requirements		Compatible valve (see above) that is operable by hand
		Appropriate clearance around the valve for Valve Controller (see below)
		Power outlet within 10' of valve, or extension cord
		iOS or Android Smartphone with internet access
		Wi-Fi with internet access (for remote notifications and control only)



DOWNLOAD THE GUARDIAN APP:



QUESTIONS?
Visit support.getguardian.com

All dimensions and weights are approximate. Design, features, and specifications subject to change without notice.
© Copyright 2017 Elexa Consumer Products, Inc. All Rights Reserved.

GUARDIAN